



LOS ANGELES FIRE DEPARTMENT

KRISTIN M. CROWLEY
FIRE CHIEF

January 10, 2023

BOARD OF FIRE COMMISSIONERS
FILE NO. 23-011

TO: Board of Fire Commissioners

FROM: *mc* Kristin M. Crowley, Fire Chief

SUBJECT: IN-KIND DONATION OF COMMERCIAL GRADE STACK
WASHER/DRYER SET FOR FIRE STATION 94

FINAL ACTION:	<input type="checkbox"/> Approved	<input type="checkbox"/> Approved w/Corrections	<input type="checkbox"/> Withdrawn
	<input type="checkbox"/> Denied	<input type="checkbox"/> Received & Filed	<input type="checkbox"/> Other

SUMMARY

The Park La Brea and WASH have partnered with the First-In Foundation have graciously donated a commercial-grade stack washer/dryer to Fire Station 94 in Operations South Bureau. Currently, Fire Station 94 has two sets of old household-style washers and dryers – one has been deemed inoperable. Replacing the old set would allow members to properly wash and clean their clothes to maintain better health and get rid of unnecessary toxins. The value of this donation is estimated at \$5,063.00.

RECOMMENDATIONS

That the Board:

1. Receive this report for the In-Kind Donation by the Los Angeles Fire Department Foundation for the items listed above, valued at \$5,063.00 to the Los Angeles Fire Department.
2. Request the Commission Executive Assistant to transmit this report to the Mayor's Office in accordance with Executive Directive No. 3 and to City Council in accordance with the Los Angeles Administrative Code, Ordinance 15514, Article 12, Section 5.111.4, for consideration and approval.

FISCAL IMPACT

There is no fiscal impact on the Department's budget from the acceptance of this donation. Donations provide the necessary items to meet the needs of the respective fire stations or administration sections. Replacement or repair of items meeting City specifications and Fire Department business needs may be borne by General Fund, subject to budgetary constraints.

CONCLUSION

The Los Angeles Fire Department benefits tremendously from gracious donations and support. The LAFD acknowledges the community organizations for their donation.

Board report was prepared by Acting Public Information Director Cheryl Getuiza, Community Liaison Office.

Attachment

LOS ANGELES FIRE DEPARTMENT



KRISTEN M. CROWLEY
FIRE CHIEF

December 1, 2022

TO: Honorable Board of Fire Commissioners, THROUGH CHANNELS

FROM: Paul N. Pham, Battalion Chief
Battalion 18, C Platoon

SUBJECT: IN-KIND DONATION FOR FIRE STATION 94

SUMMARY

Fire Station 94 Commanders are requesting permission to accept a donation of a commercial grade stack washer/dryer set from Park La Brea and WASH through the First-In Fire Foundation.

RECOMMENDATION

It is respectfully recommended that the Board of Fire Commissioners approve the request to accept the donation of the commercial stack washer/dryer set.

FINDINGS

Fire Station 94 does currently have two sets of old household style stack washers and dryers. One of the sets have recently been deemed inoperable. Replacing this set of appliances with a new, robust and reliable commercial set would benefit the members of Fire Station 94. The appliances are identified as:

Stack Washer/Dryer - Speed Queen Quantum Gold Pro Model
#STGNCASP115TW01

Total Donation Value - \$5,063.28 (taxes included)

EMERGENCY OPERATIONS
22 DEC 27 PM 1:05

22-12-0115

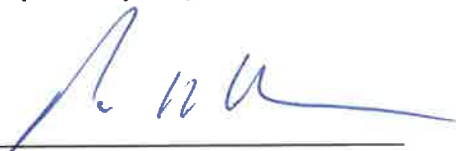
COMPANY/STATION/UNIT COMMANDER	DATE	EMS BATTALION CAPTAIN	DATE	BATTALION COMMANDER	DATE	DIVISION COMMANDER	DATE
						<i>Russ Williams</i>	12/15/22
BUREAU COMMANDER		EMERGENCY OPERATIONS COMMANDER		ADMINISTRATIVE OPERATIONS COMMANDER			
<i>Russ Williams</i>		<i>J.P.L.</i>					
12/15/22		12/27/22					

Park La Brea is a large and highly populated apartment community that sits on 160 acres in the Miracle Mile District of Los Angeles and whose fire district belongs to Battalion 18. A small "city" housing up to 12,000 residents, the Park La Brea community frequently calls upon the members of Battalion 18 to respond and mitigate their medical and fire related incidents. The Park La Brea management company has expressed sincere gratitude for Battalion 18 members' consistent and exceptional service. When they were made aware of Fire Station 94's need of a replacement washer and dryer set, they graciously offered to donate a set of stack washer/dryer used throughout the Park La Brea property and supplied by the WASH company. Tested to be reliable in Park La Brea, these donated appliances would improve the quality of life for the members of Fire Station 94.

As the donation would be a one for one replacement of existing house due paid for appliances, it has been verified that the donation of the dryers will not incur any city costs or maintenance other than the cost to power the efficient appliances.

CONCLUSION

Having a reliable commercial grade stack washer/dryer set would greatly assist the members working at Fire Station 94 in efficiently maintaining clean uniforms, workout clothing, dish towels, etc. The members at Fire Station 94 are grateful for the opportunity to accept such a useful donation by Park La Brea and WASH through the First-In Fire Foundation. The Battalion 18 office supports Fire Station 94's request and respectfully requests the Board's approval.



Paul N. Pham, Battalion Chief
Battalion 18, C Platoon

Attachments

SPEED QUEEN MULTI-HOUSING

QUANTUM® GOLD COIN DROP INSTALLED, PREP FOR COIN, PREP FOR CARD

COMMERCIAL STACK WASHER/DRYER

Built for Reliable Performance

Speed Queen's stack washer/dryer brings an innovative stacked concept that takes up half the floor space that a conventional washer and dryer does when situated side by side. The freestanding softmount design can be installed on all floor types or levels. Both washer and dryer have the same hookups and connections as a standard washer and dryer. No additional plumbing or electrical change is needed. Speed Queen's stack washer/dryer combines heavy-duty construction with reliable operation proven to stand the test of time. They're designed with less moving parts for one reason: so you'll face fewer maintenance problems and less wear and tear down the road. Front load products have met every design standard to be 100% ADA compliant.

- Integrated meter case
- Large capacity meter case standard
- Wash Alert™ capability

WASHER (ADA Compliant)

- Rugged suspension system
- Industry leading 1200 RPM spin speed exerts 440 G-force extraction
- Durable stainless steel washtub
- Four-compartment soap dispenser
- Extra-wide 15.5" door opening and 180° door swing

DRYER

- Upfront lint filter easy to clean and secured
- Industry's largest door opening 2.06 sq. ft. (1914 cm²)
- Quiet, efficient blower system



Washer Control

Dryer Control

The cutting edge Quantum control system from Speed Queen gives you the freedom to manage laundry your way with the power to achieve unmatched levels of revenue. Quantum Gold provides users with additional cycle choices while offering new options to help lower operating costs and incorporates tools and options to increase revenue.

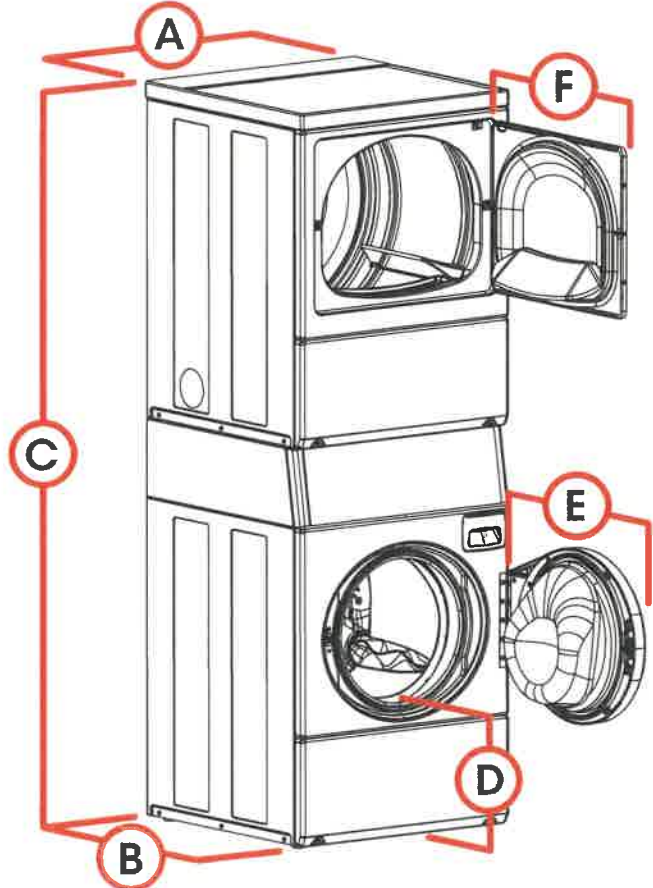
SPECIFICATIONS

COMMERCIAL STACK WASHER/DRYER

MODEL - see below for all models and activation available	
CONTROL OPTION	Quantum Gold
COLOR	White
CAPACITY - lb (kg)	Washer 21.5 (9.5) Dryer 18 (8.2)
OVERALL WIDTH - in (mm)	26.875 (683)
OVERALL DEPTH - in (mm)	27.73 (704)
OVERALL HEIGHT - in (mm)	78.17 (1986)
CYLINDER VOLUME cu. ft. (liters)	Washer 3.42 (96.8) Dryer 7.0 (198)
MOTOR SIZE - HP (kW)	0.9 (0.67)
TYPE OF GAS (GAS MODELS ONLY)	Factory equipped natural/
WATER CONSUMPTION PER CYCLE - g (liter)	13.68 (51.78)
IWF (WATER FACTOR) - gal/ft ³ (liters/liter/cycle)	4.0 (0.53)
MEF ₂ (Modified Energy Factor) ft ³ /kWh/cycle (Liters/kWh/cycle)	2.20 (62.3)
AVAILABLE WATER TEMPERATURES	Hot, Warm, Cold
AVAILABLE CYCLES	Washer Light, Medium, Heavy, Normal, Perm Press, Delicates/Bulky
	Dryer High, Medium, Low, Delicate, No Heat
AIR OUTLET DIAMETER - in (mm)	4 (102)
EXHAUST AIRFLOW - cfm (liters/sec)	220 (105)
ELECTRICAL REQUIREMENTS	Electric 120/240/60/1-30 amp 120/208/60/1-30 amp
	Gas 120/60/1-15 amp
HEATING ELEMENT	Electric 5350W, 240V 4750W, 208V
	Gas 25,000 Btu
NET WEIGHT - lb (kg)	385 (175)
SHIPPING WEIGHT - lb (kg)	417 (189)
SHIPPING DIMENSIONS APPROX. - in (mm)	Width 34 (864)
	Depth 30 (762)
	Height 80 (2032)
AGENCY APPROVALS	Electric cULus
	Gas cCSAus

MODELS	VOLTAGE/FREQ/PH	DRAIN	ACTIVATION
STENCASP175TW01	120/240/60/1	Electric	Pump
STGN CASP115TW01	120/60/1	Gas	Pump
STENXASP175TW01	120/240/60/1	Electric	Pump
STGNXASP115TW01	120/60/1	Gas	Pump
STGNXASG115TW01	120/60/1	Gas	Gravity
STENYASP175TW01	120/240/60/1	Electric	Pump
STEWYASP175TW01*	120/240/60/1		
STGNYASP115TW01	120/60/1	Gas	Pump
STGWYASP115TW01*	120/60/1	Gas	Pump

* Wireless Network Board Factory Installed



A.	OVERALL WIDTH - in (mm)	26.875 (683)
B.	OVERALL DEPTH - in (mm)	28 (711)
C.	OVERALL HEIGHT - in (mm)	78.17 (1986)
D.	FLOOR TO DOOR OPENING - in (mm)	14.6 (371)*
E.	DOOR SWING - in (mm)	24 (610)

* For ADA compliance turn legs out from base 0.5 inches

NOTE: Stack washer/dryer requires two power cords. One for washer, one for dryer

Electric dryers come equipped for 240/60/1 operation. They can be field converted to operate on 208/60/1 with optional field conversion kit. Gas dryers can be field converted for operation on LP gas with optional LP kit conversion kit.

For the most accurate information, the installation guide should be used for all design and construction purposes. Due to continuous product improvements, design and specifications subject to change without notice. The quality management system of Alliance Laundry Systems, Kipkor facility has been registered to ISO 9001:2015.



by Alliance Laundry Systems

speedqueencommercial.com/multihousing

AM18-0047 • ©2018 Alliance Laundry Systems LLC

SPECIFICATIONS QUANTUM® COMMERCIAL STACK WASHER/DRYER